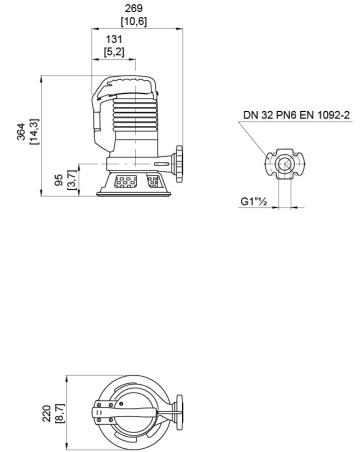
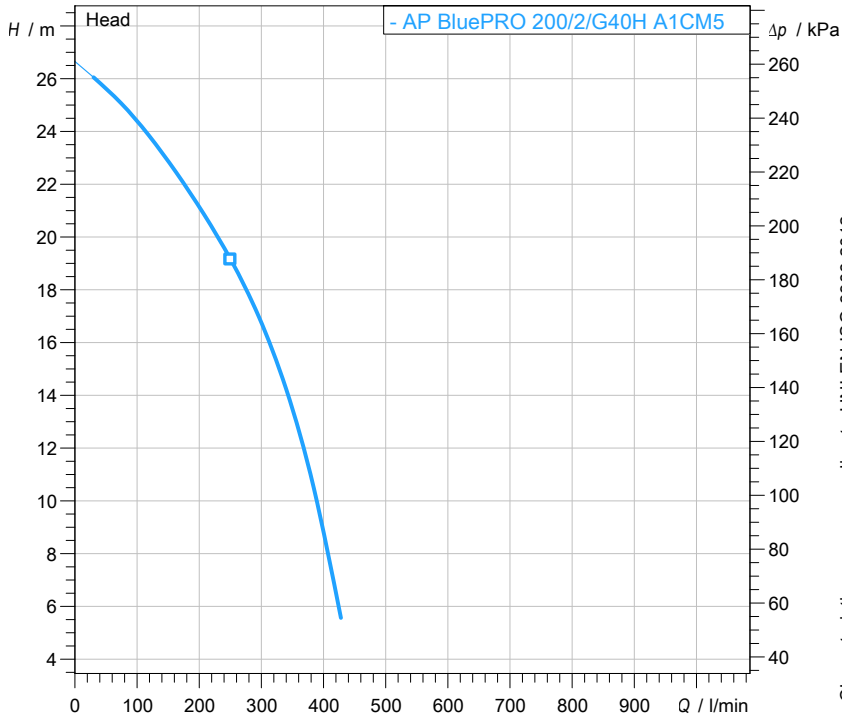




water solutions

Data sheet

**AP BluePRO 200/2/G40H A1CM5****blue**  
PROFESSIONAL  
series**Technical specification****1~ 50 Hz**[ mm ]  
[ inch ]**Pump**

Series	BluePRO series
Pump name	AP BluePRO 200/2/G40H A1CM5
Configuration	NGTC1H23N00CX
Standard	IEC 60079-0, IEC 60079-15
IECeX mark	Ex nA nC IIC T3 Gc
ATEX mark	II 3G k Ex nA nC IIC T3 Gc

**Motor data**

Rated voltage	230 V
Frequency	50 Hz
Motor phases	1~
Number of poles	2
Rated power P2	1,50 kW
Incoming power P1	2,20 kW
Rated current	10,0 A
rpm	2750 1/min
cos $\phi$	0,98
Rated torque	5,2 Nm
Start	
Degree of protection	IP 68
Insulation class	F

**Hydraulic**

Type	AP (High head impeller)
Free passage	6 mm
Impeller type	High head impeller
Max. hydraulic efficiency	
Suction	-
Discharge	DN 32 - G 1"1/2 EN 1092-2
Curve tolerance	UNI EN ISO 9906:2012

**Operating limits (standard pumps)**

Max. ambient temperature	40 °C
Max. density treated liquid	1100 kg/m <sup>3</sup>
Max. immersion depth	10 m
pH treated liquid	6 ÷ 14
Max. start per hour (equally distributed)	30
Wet/dry use	WET
Max. acoustic pressure level	70 dB
Operating mode	S1 - Continuous use

**Construction materials**

Case	Cast iron EN-GJL 250
Shaft	Stainless steel - AISI 420
Hydraulic	Cast iron - EN-GJL 250
Impeller	Cast iron - EN-GJL 250
Painting/Coating	Bi-epoxy 80 $\mu$ m
Screws	Stainless steel - Class A2-70
Gaskets	NBR
Foot base (if present)	Cast iron - EN-GJS 600
Strainer	Polypropylene

**Construction features**

Main cable	3G1
Control cable	-
Cable length	10 mt - Shuko plug
Mechanical seals	
Additional drilling	-
Weight*	25 kg
Electrical variant	Thermal protection and capacitor

\* cable's weight not included

Rev. 0 - 16-12-2014

All data shown are not binding. Zenit reserves the right to change data and dimensions without notice.

Created on 2017-10-17

zenit.com

Page 1 / 3



water solutions

Data sheet

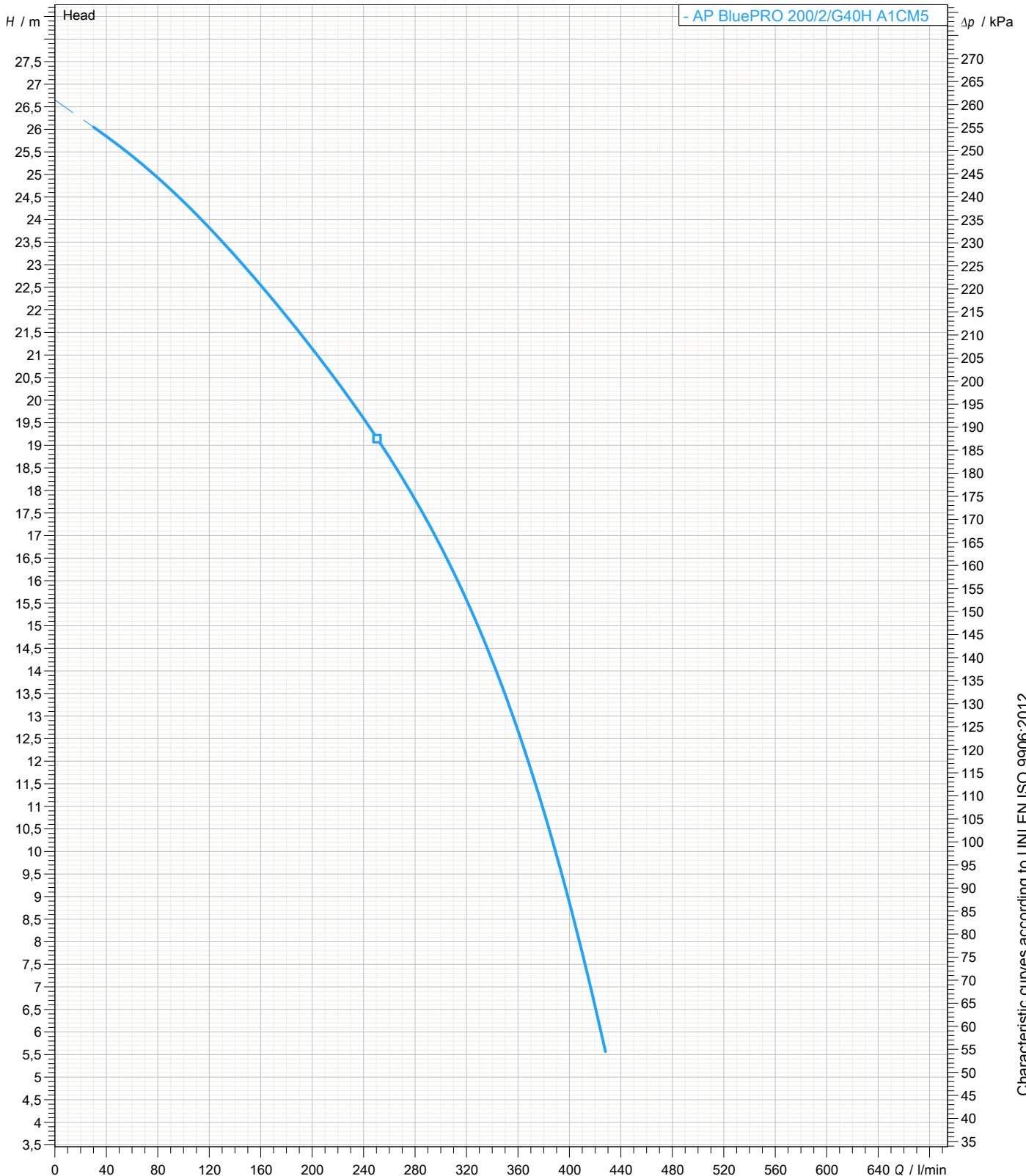
# AP BluePRO 200/2/G40H A1CM5

**blue**  
PROFESSIONAL  
series

## Pump performance curves

1~ 50 Hz

Hydraulic type AP (High head impeller)		Impeller type High head impeller		Free passage 6 mm		Discharge DN 32 - G 1"1/2		Suction -		
<b>DUTY POINT</b>										
Flow		Head		Shaft power P2		Hydraulic efficiency		Density 998,3 kg/m <sup>3</sup>		Viscosity 1,005 mm <sup>2</sup> /s



Characteristic curves according to UNI EN ISO 9906:2012



water solutions

Data sheet

## AP BluePRO 200/2/G40H A1CM5

**blue**  
PROFESSIONAL  
series

### Dimensional drawing

1~ 50 Hz

**Installation type**      Installation with bottom coupling device - Horizontal/vertical outlet

WET/DRY use:              WET

Discharge:      DN 32 - G 1"1/2 EN 1092-2

Suction:              -

Pressure rating (suction/discharge):      PN 6

Accessory \* :      DAC 32-50/G50H-G50V+KAF 3/4" EN (P)

Accessory code \* :      9028.010

\* Accessory must be ordered separately

L1: Minimum operating level for continuous use  
L2: Minimum operating level for discontinuous use

[ mm ]  
[ inch ]